

101

C O P E N H A G E N

COBRA DOUBLE MINI

A tribute to the Cobra Arts Movement of the 1960s, the collection is the epitome of quirky vases that will add joy to any interior setting.

Think whimsical, soft and organic shapes unmistakably reminiscent of human silhouettes and curves. True to the Cobra artists way of working, the series takes its starting point in naive hand sketches leading to bodily silhouettes.

As it is a hand glazed natural product, the colours may vary slightly and while it is not 100% waterproof, a bag for fresh flowers is included.

Designed by Kristian Sofus Hansen & Tommy Hyldahl.



Product no: 211033

Type: Vase - Indoor

Designer / Year of design:
Kristian Sofus Hansen & Tommy Hyldahl, 2019

Colour: Dark Grey
Material: Ceramic

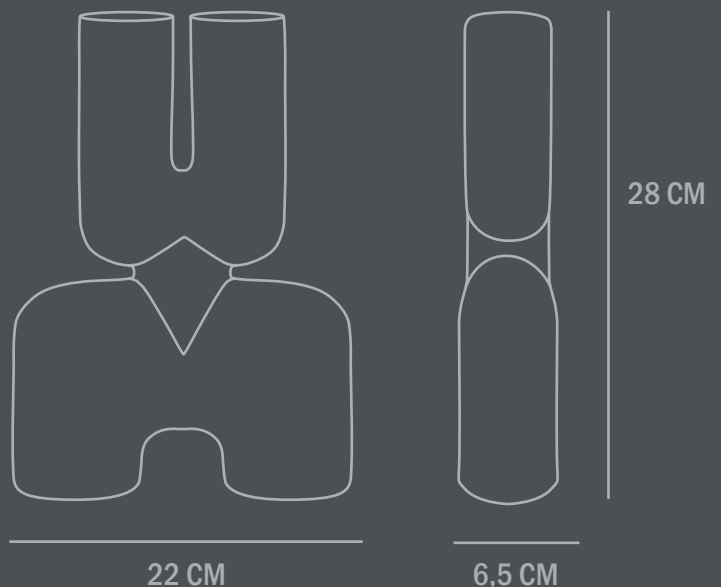
Care instructions:
Use a soft dry cloth to clean the product.
Do not use household cleaners.
Not waterproof

Dimensions: L22 / W6,5 / H28 CM
Country of origin: CN

Product weight: 0,60 Kg

Packaging:
Dimensions: L29 / W14 / H37 CM
Total weight incl. product: 0,90 Kg
Number of parcels: 1
Material: Brown cardboard

14,5 CM





COBRA DOUBLE MINI

A tribute to the Cobra Arts Movement of the 1960s, the collection is the epitome of quirky vases that will add joy to any interior setting.

Think whimsical, soft and organic shapes unmistakably reminiscent of human silhouettes and curves. True to the Cobra artists way of working, the series takes its starting point in naive hand sketches leading to bodily silhouettes.

As it is a hand glazed natural product, the colours may vary slightly and while it is not 100% waterproof, a bag for fresh flowers is included.

Designed by Kristian Sofus Hansen & Tommy Hyldahl.

Product no: 212002

Type: Vase - Indoor

Designer / Year of design:
Kristian Sofus Hansen & Tommy Hyldahl, 2019

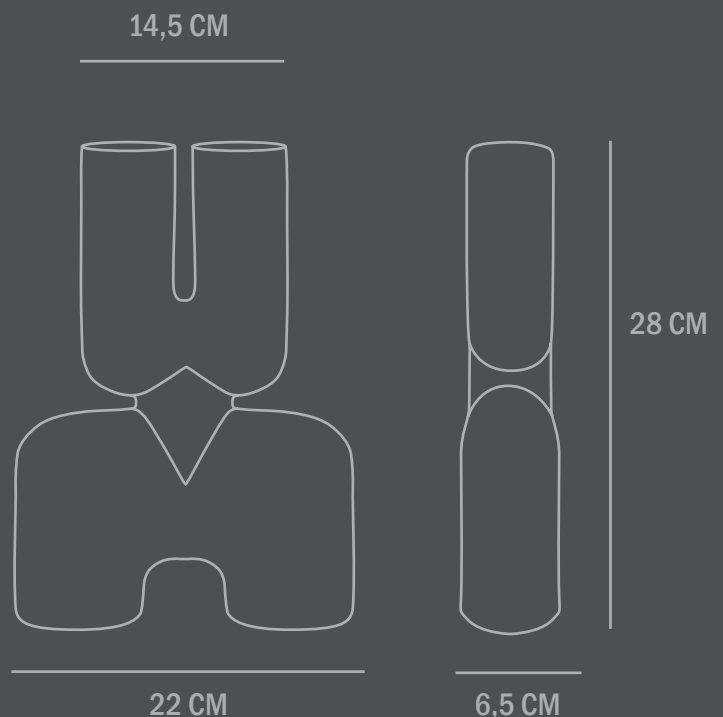
Colour: Coffee
Material: Ceramic

Care instructions:
Use a soft dry cloth to clean the product.
Do not use household cleaners.
Not waterproof

Dimensions: L22 / W6,5 / H28 CM
Country of origin: CN

Product weight: 0,60 Kg

Packaging:
Dimensions: L29 / W14 / H37 CM
Total weight incl. product: 0,90 Kg
Number of parcels: 1
Material: Brown cardboard



101

C O P E N H A G E N



COBRA DOUBLE MINI

A tribute to the Cobra Arts Movement of the 1960s, the collection is the epitome of quirky vases that will add joy to any interior setting.

Think whimsical, soft and organic shapes unmistakably reminiscent of human silhouettes and curves. True to the Cobra artists way of working, the series takes its starting point in naive hand sketches leading to bodily silhouettes.

As it is a hand glazed natural product, the colours may vary slightly and while it is not 100% waterproof, a bag for fresh flowers is included.

Designed by Kristian Sofus Hansen & Tommy Hyldahl.

Product no: 203022

Type: Vase - Indoor

Designer / Year of design:
Kristian Sofus Hansen & Tommy Hyldahl, 2019

Colour: Bubble White
Material: Ceramic

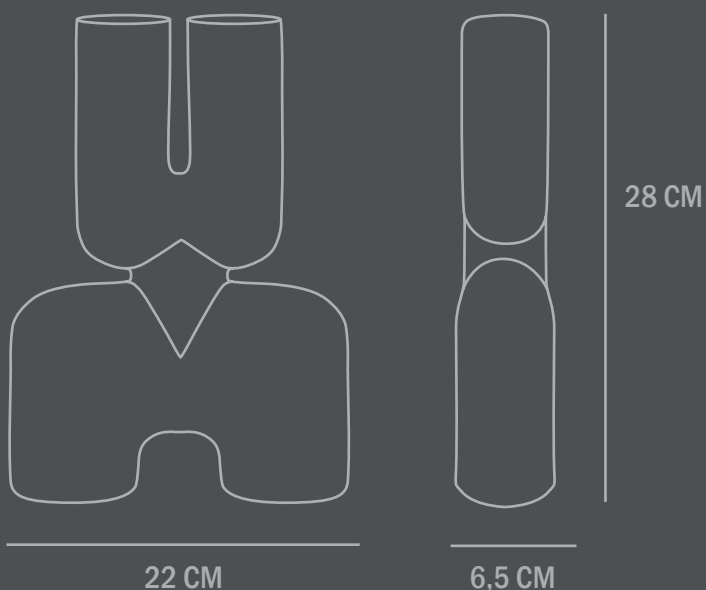
Care instructions:
Use a soft dry cloth to clean the product.
Do not use household cleaners.
Not waterproof

Dimensions: L22 / W6,5 / H28 CM
Country of origin: CN

Product weight: 0,60 Kg

Packaging:
Dimensions: L29 / W14 / H37 CM
Total weight incl. product: 0,90 Kg
Number of parcels: 1
Material: Brown cardboard

14,5 CM



101

C O P E N H A G E N



COBRA DOUBLE MINI

A tribute to the Cobra Arts Movement of the 1960s, the collection is the epitome of quirky vases that will add joy to any interior setting.

Think whimsical, soft and organic shapes unmistakably reminiscent of human silhouettes and curves. True to the Cobra artists way of working, the series takes its starting point in naive hand sketches leading to bodily silhouettes.

As it is a hand glazed natural product, the colours may vary slightly and while it is not 100% waterproof, a bag for fresh flowers is included.

Designed by Kristian Sofus Hansen & Tommy Hyldahl.

Product no: 203025

Type: Vase - Indoor

Designer / Year of design:
Kristian Sofus Hansen & Tommy Hyldahl, 2019

Colour: Black
Material: Ceramic

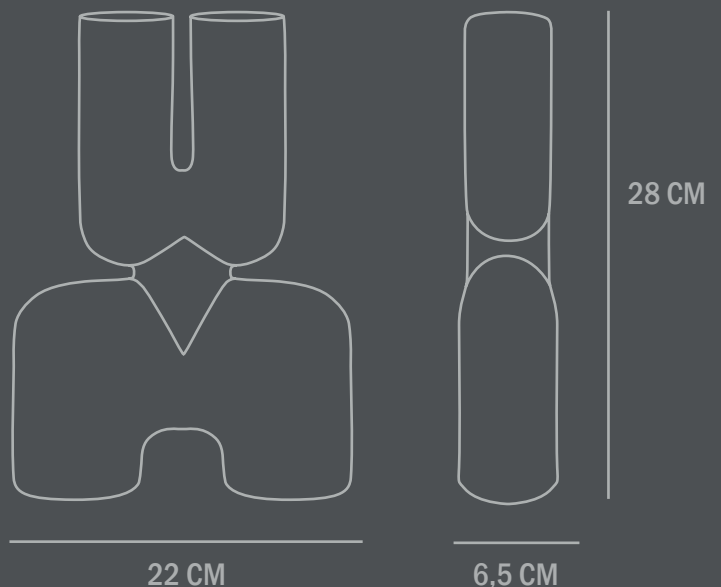
Care instructions:
Use a soft dry cloth to clean the product.
Do not use household cleaners.
Not waterproof

Dimensions: L22 / W6,5 / H28 CM
Country of origin: CN

Product weight: 0,60 Kg

Packaging:
Dimensions: L29 / W14 / H37 CM
Total weight incl. product: 0,90 Kg
Number of parcels: 1
Material: Brown cardboard

14,5 CM



101

C O P E N H A G E N



COBRA DOUBLE MEDIO

A tribute to the Cobra Arts Movement of the 1960s, the collection is the epitome of quirky vases that will add joy to any interior setting.

Think whimsical, soft and organic shapes unmistakably reminiscent of human silhouettes and curves. True to the Cobra artists way of working, the series takes its starting point in naive hand sketches leading to bodily silhouettes.

As it is a hand glazed natural product, the colours may vary slightly and while it is not 100% waterproof, a bag for fresh flowers is included.

Designed by Kristian Sofus Hansen & Tommy Hyldahl.

Product no: 211037

Type: Vase - Indoor

Designer / Year of design:
Kristian Sofus Hansen & Tommy Hyldahl, 2019

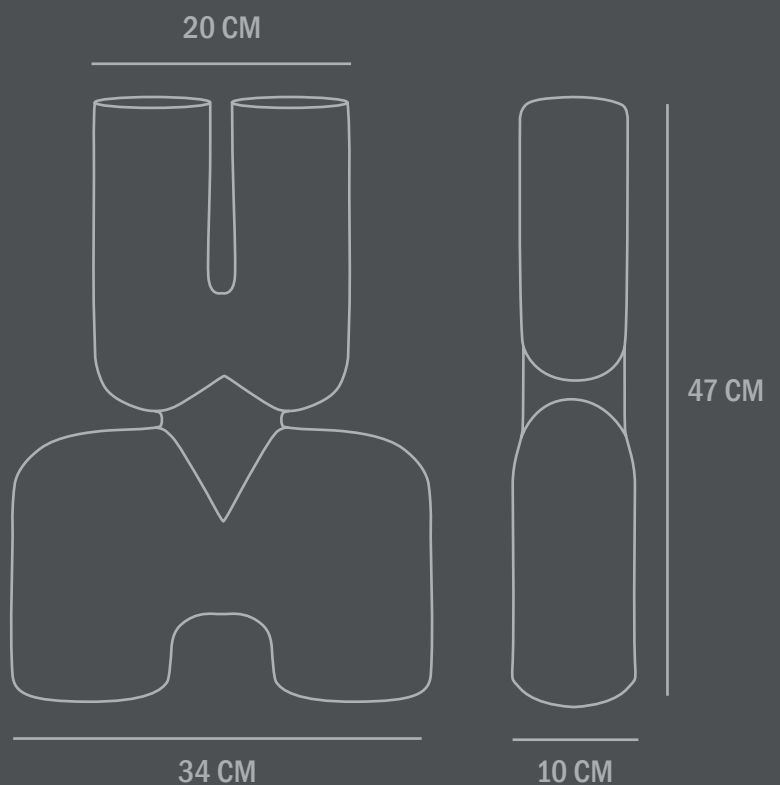
Colour: Coffee
Material: Ceramic

Care instructions:
Use a soft dry cloth to clean the product.
Do not use household cleaners.
Not waterproof

Dimensions: L34 / W10 / H47 CM
Country of origin: CN

Product weight: 4,00 Kg

Packaging:
Dimensions: L55 / W19 / H44 CM
Total weight incl. product: 4,50 Kg
Number of parcels: 1
Material: Brown cardboard



101

C O P E N H A G E N



COBRA DOUBLE MEDIO

A tribute to the Cobra Arts Movement of the 1960s, the collection is the epitome of quirky vases that will add joy to any interior setting.

Think whimsical, soft and organic shapes unmistakably reminiscent of human silhouettes and curves. True to the Cobra artists way of working, the series takes its starting point in naive hand sketches leading to bodily silhouettes.

As it is a hand glazed natural product, the colours may vary slightly and while it is not 100% waterproof, a bag for fresh flowers is included.

Designed by Kristian Sofus Hansen & Tommy Hyldahl.

Product no: 201013

Type: Vase - Indoor

Designer / Year of design:
Kristian Sofus Hansen & Tommy Hyldahl, 2019

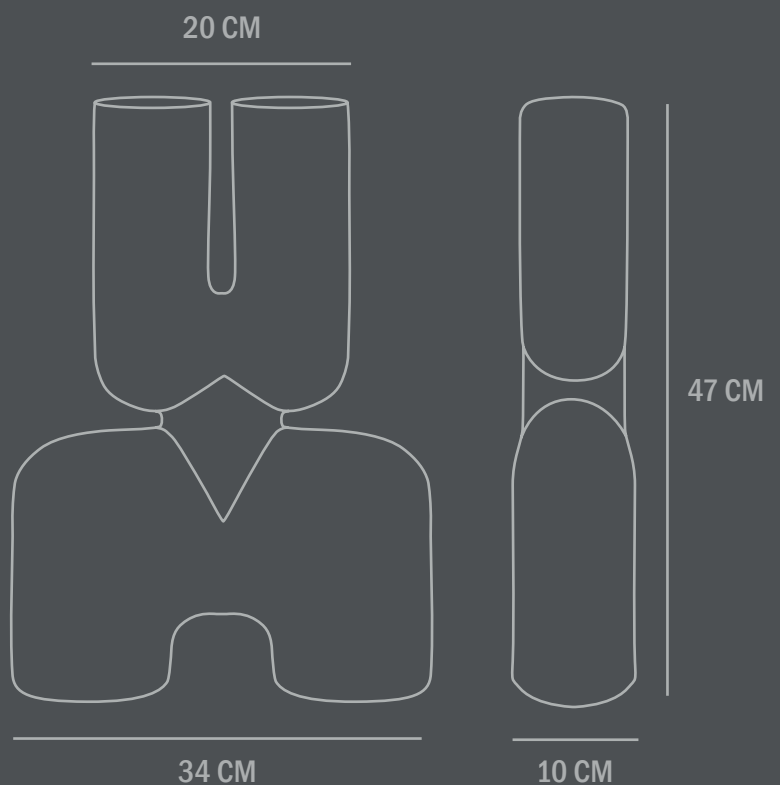
Colour: Bubble White
Material: Ceramic

Care instructions:
Use a soft dry cloth to clean the product.
Do not use household cleaners.
Not waterproof

Dimensions: L34 / W10 / H47 CM
Country of origin: CN

Product weight: 4,00 Kg

Packaging:
Dimensions: L55 / W19 / H44 CM
Total weight incl. product: 4,50 Kg
Number of parcels: 1
Material: Brown cardboard



101

C O P E N H A G E N



COBRA DOUBLE MEDIO

A tribute to the Cobra Arts Movement of the 1960s, the collection is the epitome of quirky vases that will add joy to any interior setting.

Think whimsical, soft and organic shapes unmistakably reminiscent of human silhouettes and curves. True to the Cobra artists way of working, the series takes its starting point in naive hand sketches leading to bodily silhouettes.

As it is a hand glazed natural product, the colours may vary slightly and while it is not 100% waterproof, a bag for fresh flowers is included.

Designed by Kristian Sofus Hansen & Tommy Hyldahl.

Product no: 212006

Type: Vase - Indoor

Designer / Year of design:
Kristian Sofus Hansen & Tommy Hyldahl, 2019

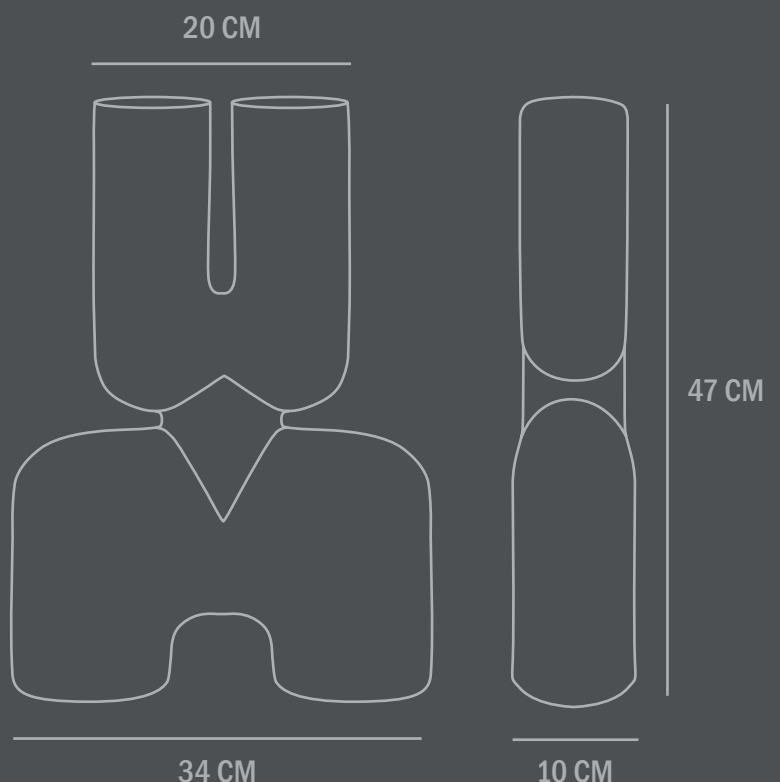
Colour: Black
Material: Ceramic

Care instructions:
Use a soft dry cloth to clean the product.
Do not use household cleaners.
Not waterproof

Dimensions: L34 / W10 / H47 CM
Country of origin: CN

Product weight: 4,00 Kg

Packaging:
Dimensions: L55 / W19 / H44 CM
Total weight incl. product: 4,50 Kg
Number of parcels: 1
Material: Brown cardboard



101

C O P E N H A G E N

COBRA DOUBLE HEXA

A tribute to the Cobra Arts Movement of the 1960s, the collection is the epitome of quirky vases that will add joy to any interior setting.

Think whimsical, soft and organic shapes unmistakably reminiscent of human silhouettes and curves. True to the Cobra artists way of working, the series takes its starting point in naive hand sketches leading to bodily silhouettes.

As it is a hand glazed natural product, the colours may vary slightly and while it is not 100% waterproof, a bag for fresh flowers is included.

Designed by Kristian Sofus Hansen & Tommy Hyldahl.



Product no: 211031

Type: Vase - Indoor

Designer / Year of design:
Kristian Sofus Hansen & Tommy Hyldahl, 2019

Colour: Black
Material: Ceramic

Care instructions:
Use a soft dry cloth to clean the product.
Do not use household cleaners.
Not waterproof

Dimensions: L43 / W12,5 / H59 CM
Country of origin: CN

Product weight: 5,50 Kgs

Packaging:
Dimensions: L67 / W20,5 / H53,5 CM
Total weight incl. product: 7,00 Kgs
Number of parcels: 1
Material: Brown cardboard

