

Flat

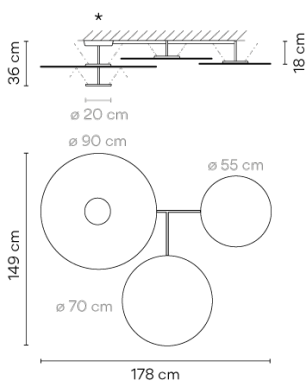
VIBIA

5922

Design By Ichiro Iwasaki

Flat is a large ceiling lamp composed of horizontal discs at various heights that create planes of reflected light. The plates are self-illuminated by reflected light. The Flat ceiling light has a strong graphic quality, combining structure and functionality.

Model Sheet



Finish

- 71 White, Green L1, Grey L1
NCS S 0300-N, NCS S 4005-G80Y, NCS S 1000-N
- 10 White
NCS S 0300-N

LED temperature color 2700 K / 3500 K

Dimming Casambi / Push; 1-10V; DALI

Installation type Surface Canopy

Materials

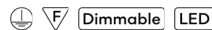
- Ceiling rose: Steel
- Reflector: Aluminum
- Body: Steel
- Head: Aluminium

Light source 4 x LED PLATE 25W 700mA



LED CRI>90 13920 lm 139.2
2700 K / 3500 K

Driver Constant Current 700
220~240 V V 50-60 Hz HZ



IP20 50-60Hz

Application Ceiling Lamps

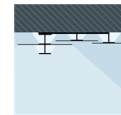
Packaging

- 1 Box
- 1.275 m x 1.06 m x 0.46 m
- Gross weight 32.2
- Net weight 25.58
- Vol. 0.6216

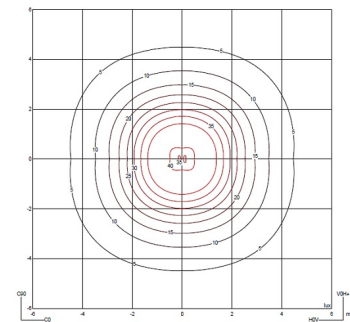
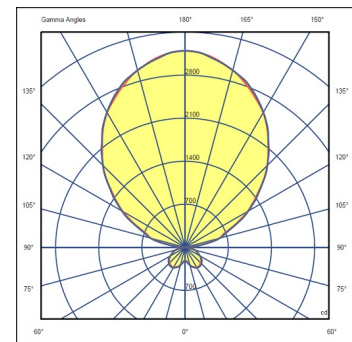
Lighting effect

Surface Grazer

Creation of visual hierarchies through projected light, emphasising the materiality and texture of the surrounding environment

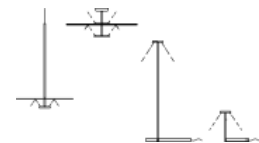


Photometric Data



Efficiency 90.66 lm/W
Coordinate System CG
Total Flux 9863.64 lm
Maximum Value 3196.80 cd

Other Applications



All of our products come with a five-year warranty. Check our legal terms at www.vibia.com/warranty

Vibia Lighting, S.L.U.

Office / Oficina
Progrés 4-6. 08850 Gavà. Barcelona, Spain.

International T +34 934 796 971
Spain / Portugal T +34 934 796 970

customer.service@vibia.com
vibia.com